

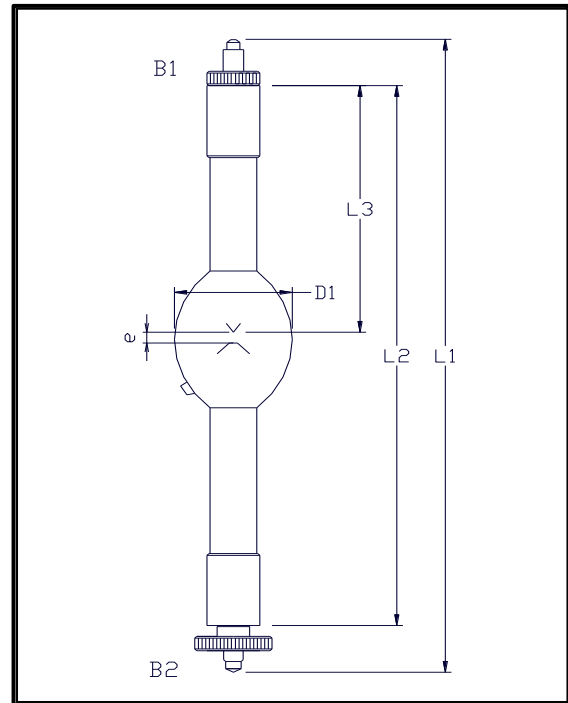
ABM, Inc. Asia Pacific Ltd.

500 WATT HIGH PRESSURE MERCURY SHORT ARC DUV LAMP

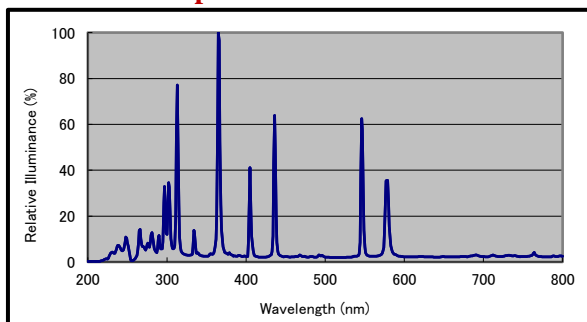
MODEL#ABM-D500J

Operation Specifications			
Lamp Type			
Power	Watts		500
Current	Amps		20
Voltage	Volts		25
Average Life	Hours		600
Lamp Data			
Electrode gap (e)	mm		3
Lamp Length (L1)	mm		180
Lamp Length (L2)	mm		150
Bulb Diameter (D1)	mm		ϕ 28
LCL (L3)	mm		68
Base Type	--	B1	M5×P0.9
		B2	M5×P0.9
Base Temperature	°C		200

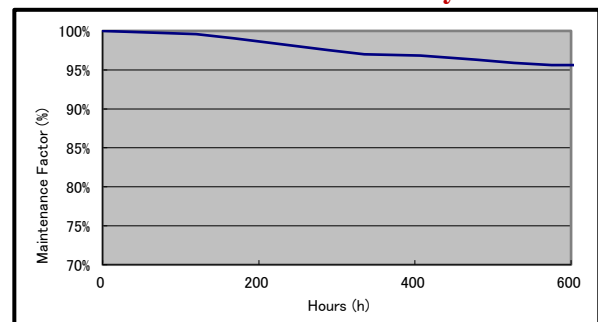
Dimensions



Spectral Distribution



Real Time Intensity



1901 Sunley Centre, 9 Wing Yin Street, Tsuen Wan, Hong Kong

Tel: (852) 2675-5598 ✨ Fax: (852) 2358-4766

www.abmasia.com.hk